

Cam-Lok® “J” Power Series

E1016 Series



E1016-8006



E1016-8058

All Cam-Lok part numbers available in convenient, single-use, color-coded packaging. See page 75 for details.

NON-VULCANIZED		MALE PLUG		
COLOR	CABLE SIZE	COMPLETE PART NO.	CONTACT ONLY PART NO.	INSULATOR ONLY PART NO.
BLACK	CRIMP #2-#1	E1016-8006		A200074-19
RED		E1016-8008		A200074-21
GREEN		E1016-8010		A200074-23
WHITE		E1016-8011		A200074-24
BLUE		E1016-7700	A200036-18	A200074-38
BROWN		E1016-7701		A200074-47
ORANGE		E1016-8009		A200074-22
YELLOW		E1016-8007		A200074-20

NON-VULCANIZED		FEMALE PLUG		
COLOR	CABLE SIZE	COMPLETE PART NO.	CONTACT ONLY PART NO.	INSULATOR ONLY PART NO.
BLACK	CRIMP #2-#1	E1016-8056		A200075-19
RED		E1016-8058		A200075-21
GREEN		E1016-8060		A200075-23
WHITE		E1016-8061		A200075-24
BLUE		E1016-7716	A200037-23	A200075-44
BROWN		E1016-7717		A200075-52
ORANGE		E1016-8059		A200075-22
YELLOW		E1016-8057		A200075-20

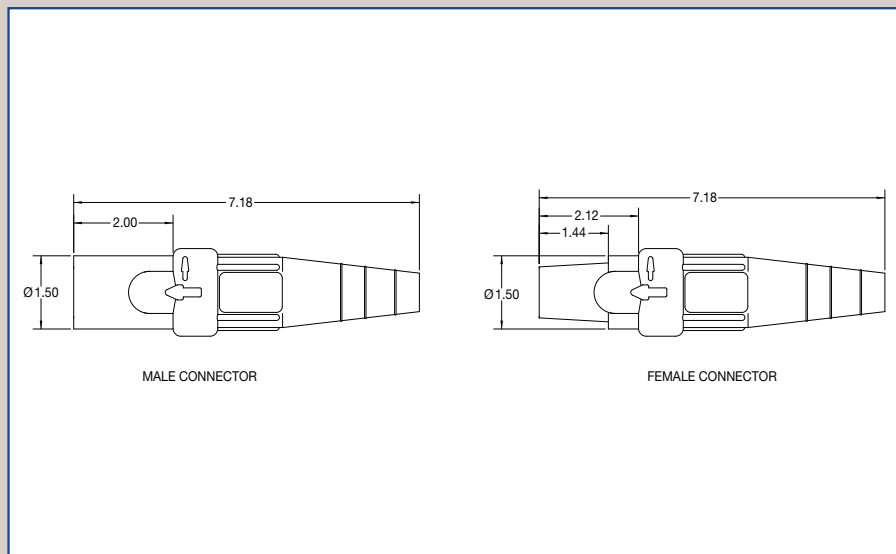
CAM-LOK “J” POWER SERIES
RECEPTACLES AND PLUGS PROVIDE THE MEANS TO QUICKLY CONNECT AND DISCONNECT POWER SYSTEMS SAFELY AT CONCERTS AND CARNIVALS AS WELL AS CONNECTING GENERATORS, STANDBY POWER, AND LOAD TESTING IN HOSPITALS, UTILITIES AND HEAVY INDUSTRIAL ENVIRONMENTS.

RATINGS: 600 VOLTS UP TO 190 AMPERES CONTINUOUS

STANDARD MATERIALS
CABLE SIZE: #2 - #1
CONNECTOR BODY: TPE
CONTACT: BRASS

AGENCY APPROVALS
UL LISTED E67181
CSA CERTIFIED LR13963

ENVIRONMENTAL RATING: NEMA 3R



Cam-Lok® “J” Power Series



All Cam-Lok part numbers available in convenient, single-use, color-coded packaging.
See page 75 for details.

NON-VULCANIZED		MALE PLUG		
COLOR	CABLE SIZE	COMPLETE PART NO.	CONTACT ONLY PART NO.	INSULATOR ONLY PART NO.
CRIMP	BLACK	E1016-8012		A200074-19
	RED	E1016-8014		A200074-21
	GREEN	E1016-8016		A200074-23
	WHITE	E1016-8017		A200074-24
	BLUE	E1016-7702	A200036-19	A200074-38
	BROWN	E1016-8000		A200074-47
	ORANGE	E1016-8015		A200074-22
	YELLOW	E1016-8013		A200074-20

NON-VULCANIZED		FEMALE PLUG		
COLOR	CABLE SIZE	COMPLETE PART NO.	CONTACT ONLY PART NO.	INSULATOR ONLY PART NO.
CRIMP	BLACK	E1016-8062		A200075-19
	RED	E1016-8064		A200075-21
	GREEN	E1016-8066		A200075-23
	WHITE	E1016-8067		A200075-24
	BLUE	E1016-7718	A200037-24	A200075-44
	BROWN	E1016-8001		A200075-52
	ORANGE	E1016-8065		A200075-22
	YELLOW	E1016-8063		A200075-20

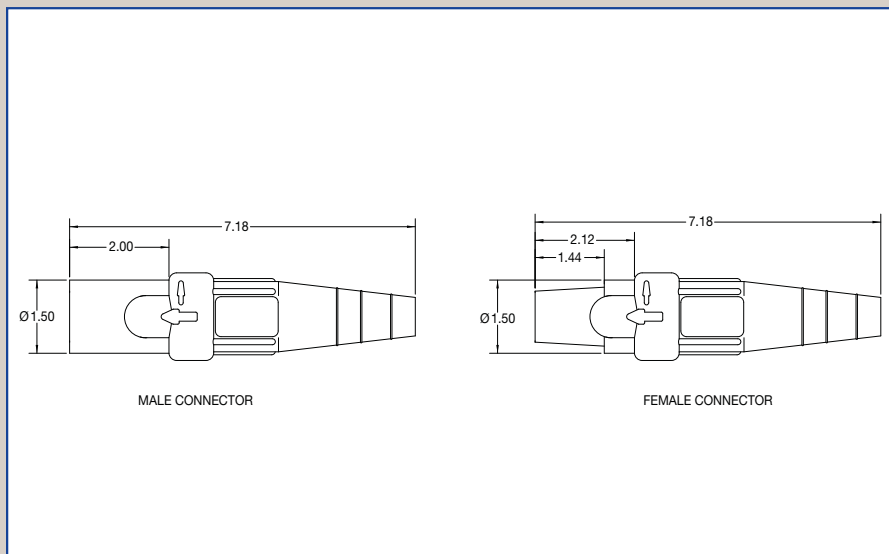


E1016-8014



E1016-8066

E1016 Series



CAM-LOK “J” POWER SERIES
RECEPTACLES AND PLUGS PROVIDE THE MEANS TO QUICKLY CONNECT AND DISCONNECT POWER SYSTEMS SAFELY AT CONCERTS AND CARNIVALS AS WELL AS CONNECTING GENERATORS, STANDBY POWER, AND LOAD TESTING IN HOSPITALS, UTILITIES AND HEAVY INDUSTRIAL ENVIRONMENTS.

RATINGS: 600 VOLTS UP TO 235 AMPERES CONTINUOUS

STANDARD MATERIALS
CABLE SIZE: 1/0 - 2/0
CONNECTOR BODY: TPE
CONTACT: BRASS

AGENCY APPROVALS
UL LISTED E67181
CSA CERTIFIED LR13963

ENVIRONMENTAL RATING: NEMA 3R

Cam-Lok® “J” Power Series

E1016 Series



E1016-7



E1016-56

All Cam-Lok part numbers available in convenient, single-use, color-coded packaging.
See page 75 for details.

VULCANIZED		MALE PLUG		
COLOR	CABLE SIZE	COMPLETE PART NO.	CONTACT ONLY PART NO.	INSULATOR ONLY PART NO.
BLACK	#2-#1	E1016-7		A200706-7
RED		E1016-9		A200706-9
GREEN		E1016-11		A200706-11
WHITE		E1016-12		A200706-12
BLUE		E1016-46	A200036-2	A200706-97
BROWN		E1016-118		A200706-101
ORANGE		E1016-10		A200706-10
YELLOW		E1016-8		A200706-8

VULCANIZED		FEMALE PLUG		
COLOR	CABLE SIZE	COMPLETE PART NO.	CONTACT ONLY PART NO.	INSULATOR ONLY PART NO.
BLACK	#2-#1	E1016-56		A200705-7
RED		E1016-58		A200705-9
GREEN		E1016-60		A200705-11
WHITE		E1016-61		A200705-12
BLUE		E1016-95	A200037-2	A200705-64
BROWN		E1016-119		A200705-101
ORANGE		E1016-59		A200705-10
YELLOW		E1016-57		A200705-8

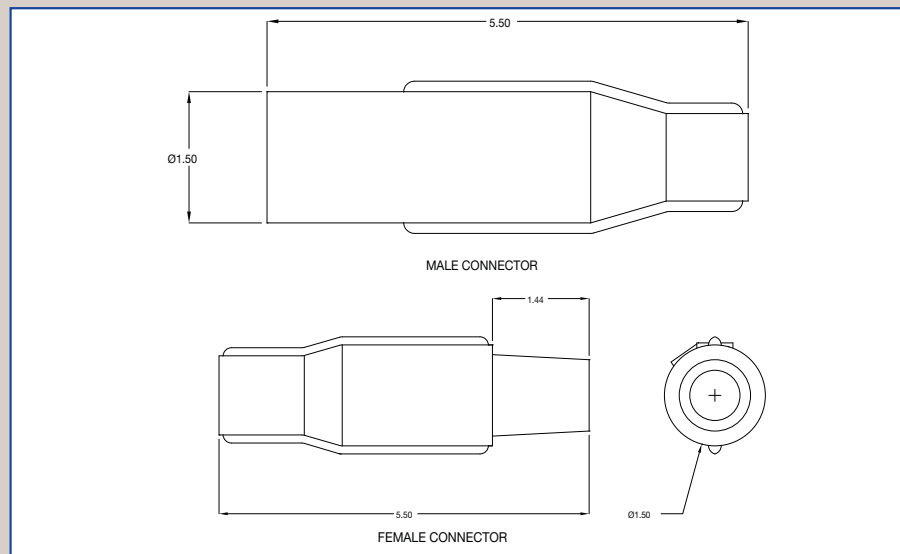
CAM-LOK “J” POWER SERIES
RECEPTACLES AND PLUGS PROVIDE THE MEANS TO QUICKLY CONNECT AND DISCONNECT POWER SYSTEMS SAFELY AT CONCERTS AND CARNIVALS AS WELL AS CONNECTING GENERATORS, STANDBY POWER, AND LOAD TESTING IN HOSPITALS, UTILITIES AND HEAVY INDUSTRIAL ENVIRONMENTS.

RATINGS: 600 VOLTS UP TO 190 AMPERES CONTINUOUS

STANDARD MATERIALS
CABLE SIZE: #2 - #1
CONNECTOR BODY: SYNTHETIC RUBBER
CONTACT: BRASS

AGENCY APPROVALS
UL LISTED E67181
CSA CERTIFIED LR13963

ENVIRONMENTAL RATING: NEMA 4



Cam-Lok® “J” Power Series



VULCANIZED		MALE PLUG		
COLOR	CABLE SIZE	COMPLETE PART NO.	CONTACT ONLY PART NO.	INSULATOR ONLY PART NO.
CRIMP	BLACK	E1016-13		A200706-7
	RED	E1016-15		A200706-9
	GREEN	E1016-17		A200706-11
	WHITE	E1016-18		A200706-12
	BLUE	E1016-43	A200036-3	A200706-97
	BROWN	E1016-120		A200706-101
	ORANGE	E1016-16		A200706-10
	YELLOW	E1016-14		A200706-8

VULCANIZED		FEMALE PLUG		
COLOR	CABLE SIZE	COMPLETE PART NO.	CONTACT ONLY PART NO.	INSULATOR ONLY PART NO.
CRIMP	BLACK	E1016-62		A200705-7
	RED	E1016-64		A200705-9
	GREEN	E1016-66		A200705-11
	WHITE	E1016-67		A200705-12
	BLUE	E1016-92	A200037-3	A200705-64
	BROWN	E1016-121		A200705-101
	ORANGE	E1016-59		A200705-10
	YELLOW	E1016-57		A200705-8

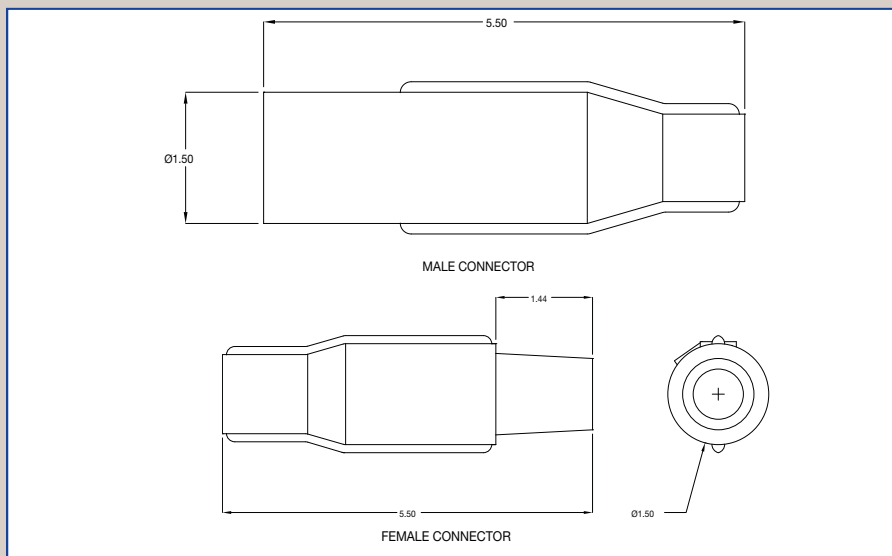


E1016-15



E1016-66

E1016 Series



CAM-LOK “J” POWER SERIES
RECEPTACLES AND PLUGS PROVIDE THE MEANS TO QUICKLY CONNECT AND DISCONNECT POWER SYSTEMS SAFELY AT CONCERTS AND CARNIVALS AS WELL AS CONNECTING GENERATORS, STANDBY POWER, AND LOAD TESTING IN HOSPITALS, UTILITIES AND HEAVY INDUSTRIAL ENVIRONMENTS.

RATINGS: 600 VOLTS UP TO 235 AMPERES CONTINUOUS

STANDARD MATERIALS
CABLE SIZE: 1/0 – 2/0
CONNECTOR BODY: SYNTHETIC RUBBER
CONTACT: BRASS

AGENCY APPROVALS
UL LISTED E67181
CSA CERTIFIED LR13963

ENVIRONMENTAL RATING: NEMA 4